

UNIQUE™ MACHINE & TOOL CO.

Manufacturers of
Production Equipment
Since 1969 ...
"The UNIQUE Way".

CNC Machining Center.. Model 2700



*Machines Cabinet Doors, Interior and Exterior Doors
as well as Furniture parts without costly set-up time
between design or component change*

Special applications require

"UNIQUE SOLUTIONS"

For more information, please contact us today!
UNIQUE MACHINE & TOOL CO.

4232 East Magnolia Street, Phoenix, Arizona 85034 [USA] • [602] 470-1911 • Fax: [602] 470-1916

CNC MACHINING C

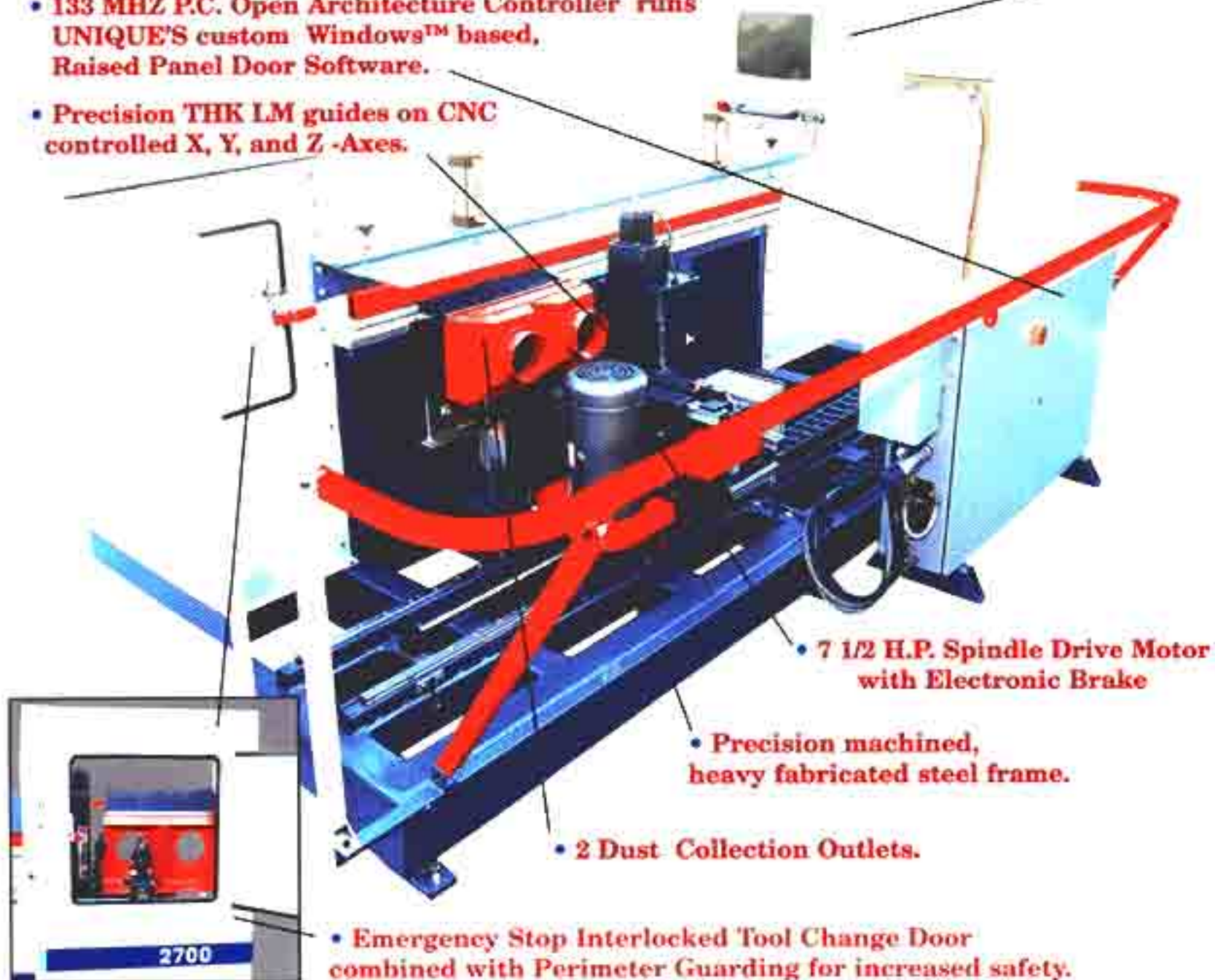
The **UNIQUE CNC MACHINING CENTER ... Model 2700** was designed to increase the quality and efficiency of production of cabinet doors, interior and exterior doors as well as furniture parts.

The Windows™ based custom software package offers a complete family of arched door styles and is operated via a touch-screen interface, for ease of use and increased productivity.

The spindle travels on a rigid cast-iron column for vibration-free cutting with CNC controlled X, Y, & Z movement, allowing the system to cut a variety of shapes up to 81" in length.

The **Model 2700 CNC MACHINING CENTER** was designed combining ideas from cabinetmakers worldwide and Unique's 26 years of experience producing user-friendly, efficient production equipment in the U.S.A.

- **Touch Screen Operator Interface for ease of use as well as increased productivity.**
- **133 MHZ P.C. Open Architecture Controller runs UNIQUE'S custom Windows™ based, Raised Panel Door Software.**
- **Precision THK LM guides on CNC controlled X, Y, and Z -Axes.**



(Machine Front Shown)

ENTER... Model 2700

CNC CONTROLLER FEATURES

- 133 MHZ P.C. runs Unique's custom Windows™ based Raised Panel Door Software.
- Open Architecture allows integration with your present or future production control system.
- Touch-screen operator interface for ease of use and increased productivity.
- Screen graphics identify the cut selection and part choice.
- New door or custom door styles can easily be programmed in minutes.
- Electronic Sensors measure the length of the part to be cut, allowing for various width panels or rails to be shaped consecutively, without the risk of operator error.

THE DOOR MAKING PROCESS

1 The door making process begins by touching the "DOORS button", which brings up the Door Action Menu Screen (shown below)



• Select Screen to change the current toolstack, edit or add new toolstacks, and set tool heights.

• Leads to screens for machine operating parameters, manual operation, diagnostics, and back-up/restore of machine & door data on 3 1/2" floppy disc.

Main Menu Screen

2 A pull-down list can now be displayed and allowing the operator to select the required door style.



4 The operator selects each piece to be included in the cut sequence

• Leads to screens to modify or easily add new door styles.

Door Action Menu Screen

3 Once the door style and part selection are made, the operator touches the make door box, which will bring up the Make Door Screen.



• Spindle Start/Stop "Button"

• Displays the size of each workpiece after electronic measurement.

• "Load Piece" changes to "Cycle Start Button" only after part is safely clamped.

• Prompts operator for next piece to be cut.

• Clamp Bar "button" graphically shows the operator when the workpiece is clamped or unclamped. (shown in unclamped position)

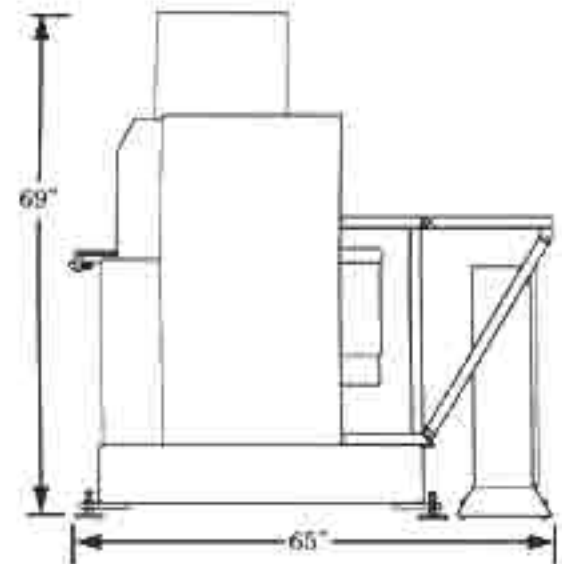
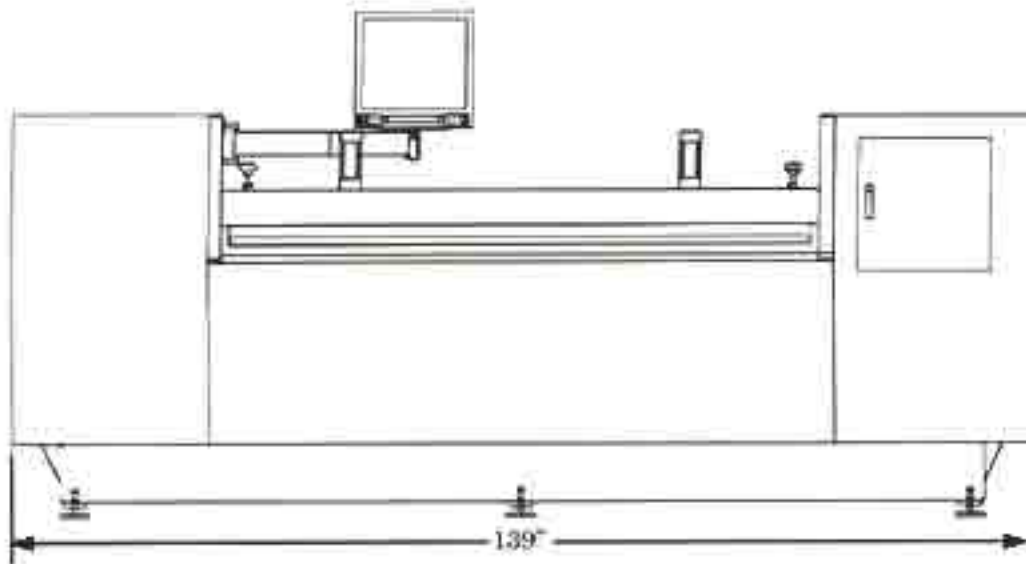
• Returns to previous screen.

• Allows use of the previous part length without re-measure.

Make Door Screen

• Make Door Screen allows current cut to be skipped, prompting operator for the next piece in cut sequence.

CNC MACHINING CENTER... Model 2700



TECHNICAL SPECIFICATIONS

CAPACITIES:

- CNC Control
- Maximum Cut Length - X-Axis
- Maximum Workpiece Overhang - Y Axis
- Maximum Clamping Thickness
- Working Height
- Spindle Drive Motor
- Available Spindle Diameters
- Maximum Toolstack Height
- Maximum Number of Tools Per Stack
- Maximum Cutterhead Diameter
- Weight

X, Y, & Z Axis

81"

5"

2-1/2"

36"

7-1/2 HP with Electronic Brake

1", 1-1/4", 30mm

5"

4

6"

3,000 lbs (approximate)

REQUIREMENTS:

- Electrical
- Compressed Air
- Dust Collection

208-480V, 3 Phase, 60HZ or 415V, 3 Phase, 50HZ

80 PSI Minimum, 10 CFM

(2)-5" Outlets, 1000 CFM each

Distributed By:

UNIQUE
MACHINE & TOOL CO.

Manufacturers of Woodworking Equipment
Since 1969... "The Unique Way".

4232 East Magnolia Street, Phoenix, Arizona 85034 [USA] • [602] 470-1911 • Fax: [602] 470-1916

Design and specifications subject to change without notice.